

# KEL-EMC-PF cable assembly bracket

for mounting individual shield clamps



RoHS  
compliant



The EMC bracket combined with the [matching PFS EMC shield clamp](#) is perfect in conjunction with the [KEL cable entry frame](#) for alleviating interferences due to shields.

The EMC clamp is assembled inside the control panel. For this process the fixing screws for the assembly of the KEL frame on the panel are used. A female screw thread M5 is already integrated in the KEL-EMC-PF bracket.

The KDR-EMC-PFM type can be mounted on icotek enclosure base plates with [slide frames KDR-ESR-VX25](#).

Depending on the cable diameter, the corresponding PFS shield clamp can be snapped onto the EMC bracket.

## Specifications

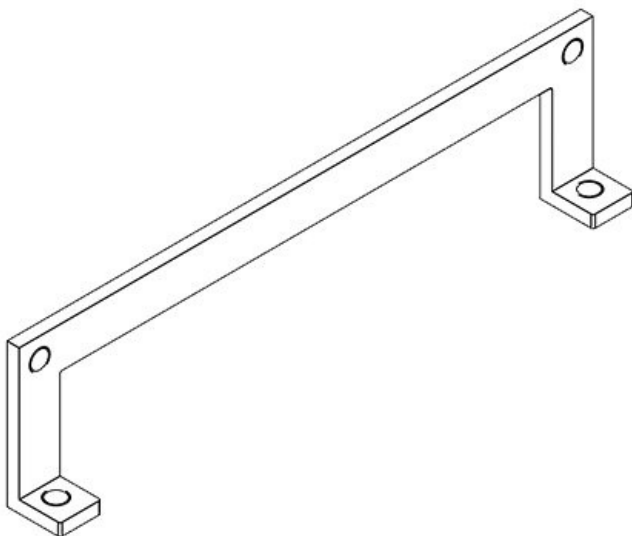
<b>Material</b>	Mild steel, galvanically zinc plated
<b>Mounting options</b>	Screw type mounting

## Advantages & Benefits

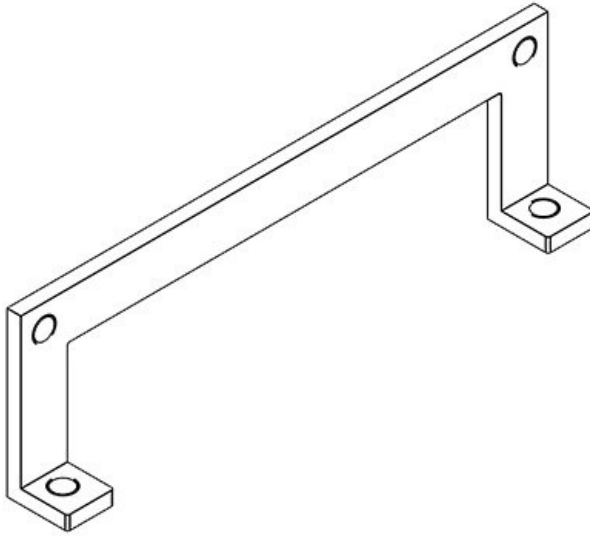
- Large surface contact between cable shield and housing, especially on conductive coated surfaces
- Easily combines cable routing, EMC and strain relief due to the use of the same mounting holes
- M5 Mounting hole for earthing tape or PE connection
- Direct, easy and quick contact to the enclosure
- Designed for high density applications
- Replacement for EMC cable glands, even for pre-terminated cables

## Product types & Sizes

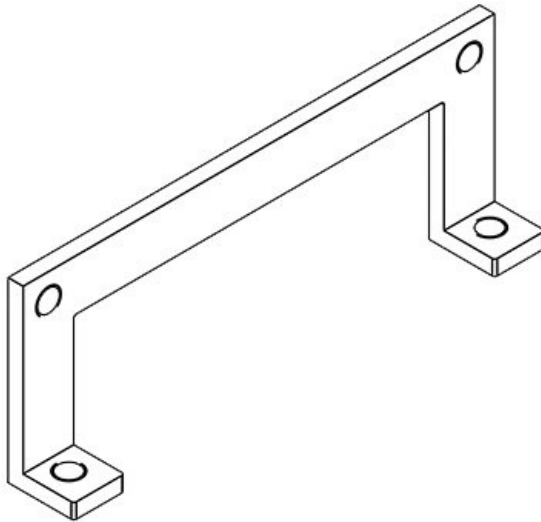
KEL-EMC-PF 24



Part No.	<b>39180</b>	Mounting height	<b>13 mm</b>
EAN	<b>4251269305993</b>	Suitable for cable entry systems:	<b>KEL-ER 24, KEL-ER-E5, KEL 24, KEL-E5, KEL-U 24, KEL-FG-E5, KEL-FA 24, KEL-QUICK 24, KEL-QUICK-E5, KEL-BES 24, KEL-BES-S 24, KEL-DPZ 24, KEL-DPZ-E, KEL-DPU 24</b>
Package quantity	<b>1</b>		
Length L1	<b>140 mm</b>		
Length L2	<b>130 mm</b>		
Width	<b>35 mm</b>		
Height	<b>13 mm</b>		

**KEL-EMC-PF 16**

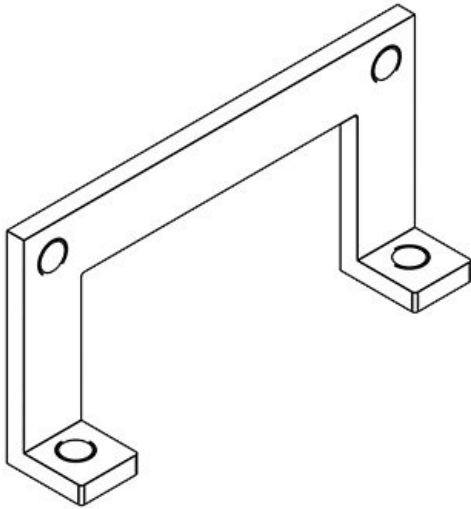
Part No.	<b>39170</b>	Mounting height	<b>13 mm</b>
EAN	<b>4251269305986</b>	Suitable for cable entry systems:	<b>KEL-ER 16, KEL-ER-E4, KEL 16, KEL-E4, KEL-U 16, KEL-FA 16, KEL-QUICK 16, KEL-QUICK-E4, KEL-BES 16, KEL-BES-S 16, KEL-DPZ 16</b>
Package quantity	<b>1</b>		
Length L1	<b>113 mm</b>		
Length L2	<b>103 mm</b>		
Width	<b>35 mm</b>		
Height	<b>13 mm</b>		

**KEL-EMC-PF 10**

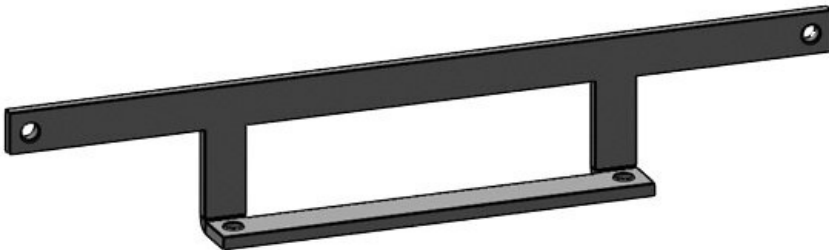
Part No.	<b>39160</b>	Mounting height	<b>13 mm</b>
EAN	<b>4251269305979</b>	Suitable for cable entry systems:	<b>KEL-ER 10, KEL-ER-E3, KEL 10, KEL-E3, KEL-U 10, KEL-FG-E3, KEL-FA 10, MIS-E3 2, KEL-QUICK 10, KEL-QUICK-E3, KEL-BES 10, KEL-BES-S 10</b>
Package quantity	<b>1</b>		
Length L1	<b>93 mm</b>		
Length L2	<b>83 mm</b>		
Width	<b>35 mm</b>		
Height	<b>13 mm</b>		

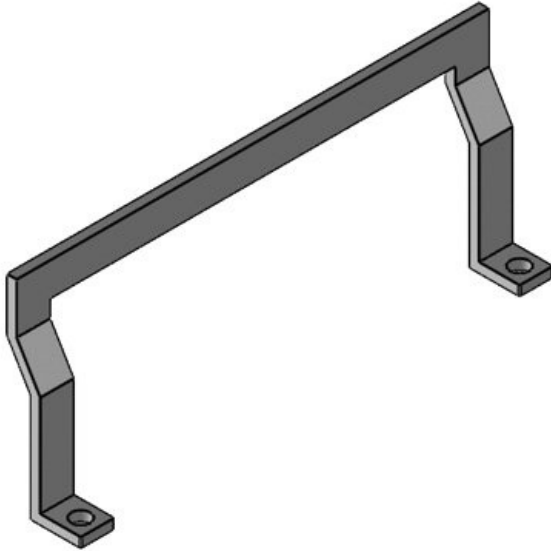
**KEL-EMC-PF-B**

Part No.	<b>39150</b>	Mounting height	<b>13 mm</b>
EAN	<b>4251269305</b>	Suitable for cable entry systems:	<b>KEL-ER-B, KEL-ER-E2, KEL-B, KEL-U-B, KEL-FG-E2, KEL-QUICK-B, KEL-QUICK-E2, KEL-DPZ-B</b>
Package quantity	<b>1</b>		
Length L1	<b>68 mm</b>		
Length L2	<b>58 mm</b>		
Width	<b>35 mm</b>		
Height	<b>13 mm</b>		

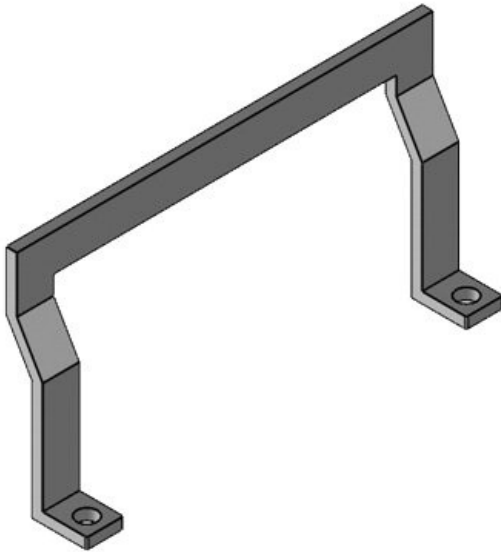
**KEL-EMC-PF 183**

Part No.	<b>39190</b>	Mounting height	<b>13 mm</b>
EAN	<b>4251269318</b>	Suitable for cable entry systems:	<b>KEL 183, KEL 183-E</b>
Package quantity	<b>1</b>		
Length L1	<b>200 mm</b>		
Length L2	<b>95 mm</b>		
Width	<b>35 mm</b>		
Height	<b>13 mm</b>		



**KEL-EMC-PFM 24**

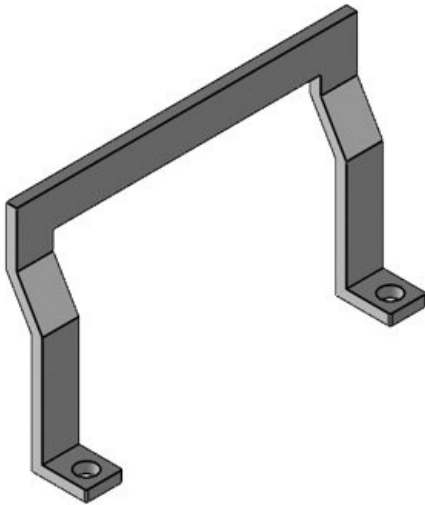
Part No.	<b>39181</b>	Mounting height	<b>22 mm</b>
EAN	<b>4251269318</b>	Suitable for cable entry systems:	<b>KEL-ER 24, KEL 24, KEL-U 24, KEL-FA 24, KEL-QUICK 24, KEL-BES 24, KEL-BES-S 24, KEL-DPZ 24, KEL-DPU 24</b>
Package quantity	<b>1</b>		
Length L1	<b>140 mm</b>		
Length L2	<b>130 mm</b>		
Width	<b>60 mm</b>		
Height	<b>22 mm</b>		

**KEL-EMC-PFM 16**

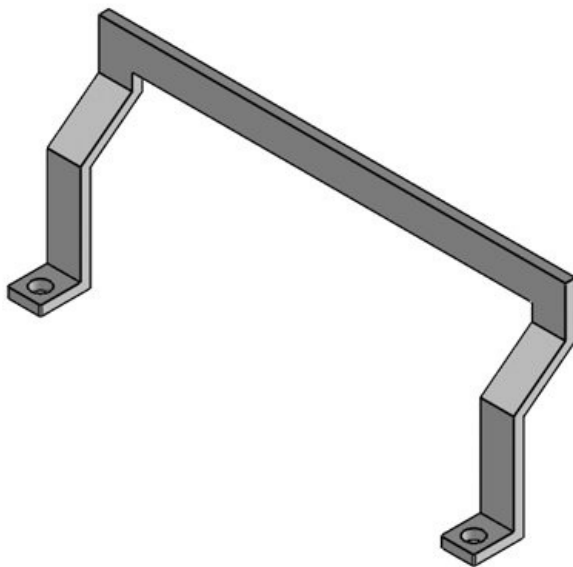
Part No.	<b>39183</b>	Mounting height	<b>22 mm</b>
EAN	<b>4251269318</b>	Suitable for cable entry systems:	<b>KEL-ER 16, KEL 16, KEL-U 16, KEL-FA 16, KEL-QUICK 16, KEL-BES 16, KEL-BES-S 16, KEL-DPZ 16</b>
Package quantity	<b>1</b>		
Length L1	<b>113 mm</b>		
Length L2	<b>103 mm</b>		
Width	<b>60 mm</b>		
Height	<b>22 mm</b>		

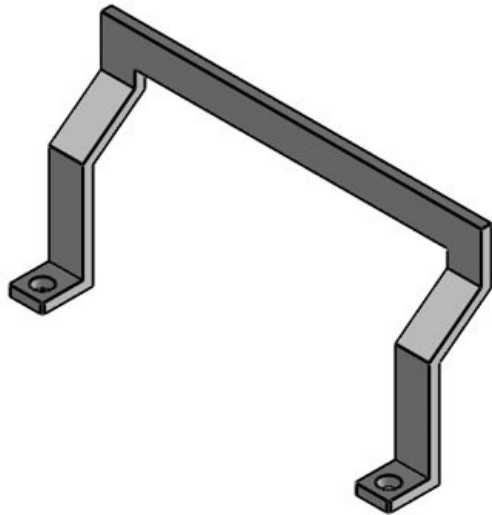
**KEL-EMC-PFM 10**

Part No.	<b>39184</b>	Mounting height	<b>22 mm</b>
EAN	<b>4251269318</b>	Suitable for cable entry systems:	<b>KEL-ER 10, KEL 10, KEL-U 10, KEL-FA 10, KEL-QUICK 10, KEL-BES 10, KEL-BES-S 10</b>
Package quantity	<b>1</b>		
Length L1	<b>93 mm</b>		
Length L2	<b>83 mm</b>		
Width	<b>60 mm</b>		
Height	<b>22 mm</b>		

**KDR-EMC-PFM 24**

Part No.	<b>39191</b>	Mounting height	<b>30,5 mm</b>
EAN	<b>4251269321</b>	No. of screw holes	<b>2</b>
Package quantity	<b>1</b>	Diam. of screw holes	<b>5,5 mm</b>
Length	<b>140 mm</b>	Suitable for cable entry systems:	<b>KDR-ESR-VX25</b>
Length L2	<b>130 mm</b>		
Width	<b>60 mm</b>		
Height	<b>30,5 mm</b>		





Part No.	<b>39192</b>	Mounting height	<b>30,5 mm</b>
EAN	<b>4251269321</b>	No. of screw holes	<b>2</b>
Package quantity	<b>1</b>	Diam. of screw holes	<b>5,5 mm</b>
Length	<b>113 mm</b>	Suitable for cable entry systems:	<b>KDR-ESR-VX25</b>
Length L2	<b>103 mm</b>		
Width	<b>60 mm</b>		
Height	<b>30,5 mm</b>		